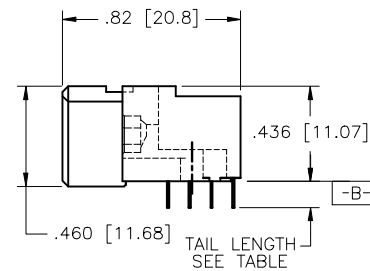
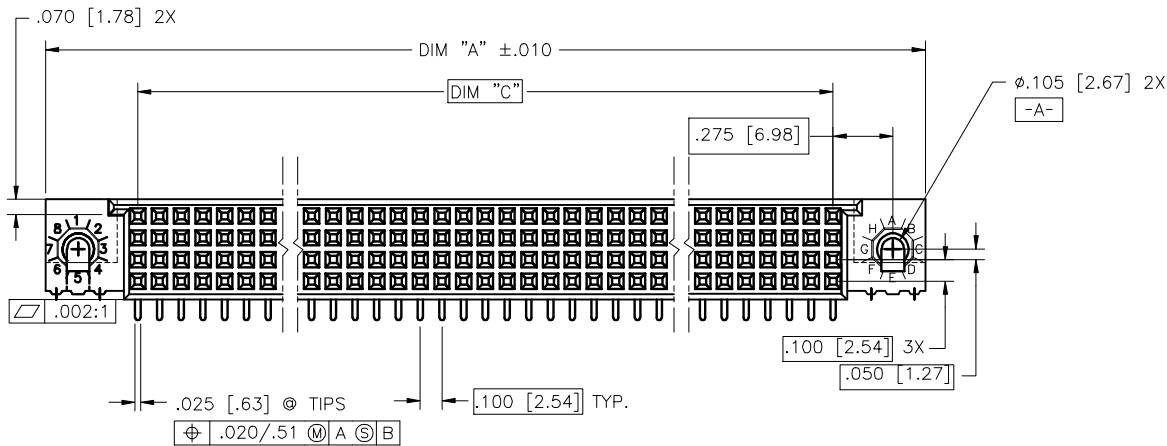
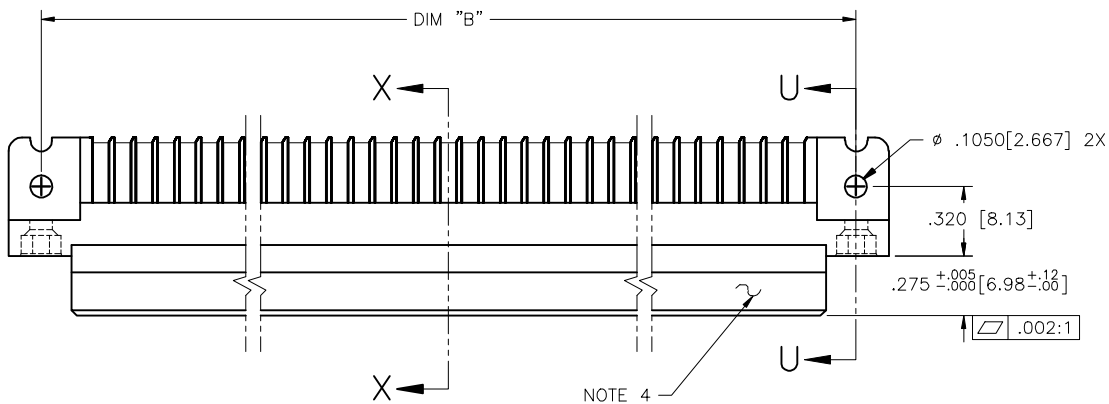


PRODUCT NUMBER  
SEE TABLE



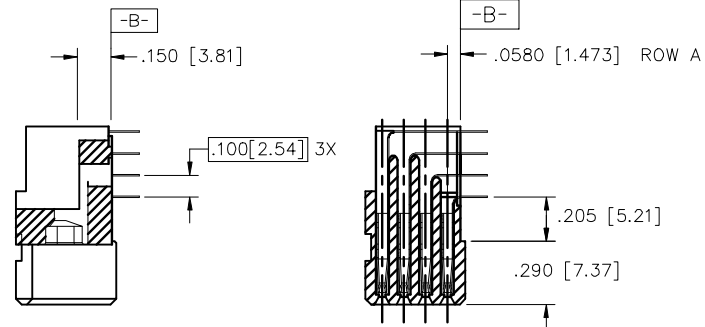
mat'l. code				surface	tolerance	projection	product family																																								
NOTE 3				ISO 1302	ISO 406	 INCH/MM	HPC																																								
<table border="1"> <tr> <th>ltr</th> <th>ecp no</th> <th>dr</th> <th>date</th> </tr> <tr> <td>R</td> <td>V05-0694</td> <td>TAB</td> <td>7/26/05</td> </tr> <tr> <td>S</td> <td>V05-0909</td> <td>DCH</td> <td>9/23/05</td> </tr> <tr> <td>T</td> <td>V05-1041</td> <td>HTB</td> <td>11/14/05</td> </tr> <tr> <td>U</td> <td>M06-0255</td> <td>MHT</td> <td>7/06/06</td> </tr> <tr> <td>V</td> <td>M06-0476</td> <td>MHT</td> <td>12/05/06</td> </tr> <tr> <td>W</td> <td>M07-0237</td> <td>AGS</td> <td>7/17/07</td> </tr> <tr> <td>X</td> <td>M08-0308</td> <td>MHT</td> <td>10/23/08</td> </tr> </table>				ltr	ecp no		dr	date	R	V05-0694	TAB	7/26/05	S	V05-0909	DCH	9/23/05	T	V05-1041	HTB	11/14/05	U	M06-0255	MHT	7/06/06	V	M06-0476	MHT	12/05/06	W	M07-0237	AGS	7/17/07	X	M08-0308	MHT	10/23/08	<table border="1"> <tr> <th>tolerance</th> <th>ISO 1301</th> </tr> <tr> <td>linear</td> <td>.XX±.01/XX±.03</td> </tr> <tr> <td></td> <td>.XXX±.06/XXX±.13</td> </tr> <tr> <td></td> <td>.XXX±.0020/XXX±0.05</td> </tr> </table>		tolerance	ISO 1301	linear	.XX±.01/XX±.03		.XXX±.06/XXX±.13		.XXX±.0020/XXX±0.05	scale 1:1
ltr	ecp no	dr	date																																												
R	V05-0694	TAB	7/26/05																																												
S	V05-0909	DCH	9/23/05																																												
T	V05-1041	HTB	11/14/05																																												
U	M06-0255	MHT	7/06/06																																												
V	M06-0476	MHT	12/05/06																																												
W	M07-0237	AGS	7/17/07																																												
X	M08-0308	MHT	10/23/08																																												
tolerance	ISO 1301																																														
linear	.XX±.01/XX±.03																																														
	.XXX±.06/XXX±.13																																														
	.XXX±.0020/XXX±0.05																																														
tolerances unless otherwise specified								4 ROW R/A RECEPTACLE																																							
							GENERIC, MOUNT, S.T.B. O G.P.																																								
dwg no						sheet 1 of 4	size																																								
50576						A3																																									
type							Product Customer Drawing																																								
sheet	revision	X	X	X	X																																										
index	sheet	1	2	3	4																																										

PRODUCT NUMBER	NUMBER OF POSITIONS, NOTE 2	TAIL LENGTH	SOLDER TAIL PLATING	CONTACT AREA PLATING (NOTE 8)
50576-1YYYY	YYY	.125±.010/3.18±.25	TIN-LEAD	30u"/.76u GOLD
50576-1YYYYLF	YYY	.125±.010/3.18±.25	TIN	30u"/.76u GXT
50576-1YYYYF	YYY	.145±.010/3.68±.25	TIN-LEAD	30u"/.76u GOLD
50576-1YYYYH	YYY	.180±.010/4.57±.25	TIN-LEAD	30u"/.76u GOLD
50576-3YYYY	YYY	.125±.010/3.18±.25	TIN-LEAD	50u"/1.27u GOLD
50576-3YYYYF	YYY	.145±.010/3.68±.25	TIN-LEAD	50u"/1.27u GOLD
50576-3YYYYH	YYY	.180±.010/4.57±.25	TIN-LEAD	50u"/1.27u GOLD
50576-5YYYY	YYY	.125±.010/3.18±.25	TIN-LEAD	30u"/.76u GXT
50576-5YYYYLF	YYY	.125±.010/3.18±.25	TIN	30u"/.76u GXT
50576-5YYYYF	YYY	.145±.010/3.68±.25	TIN-LEAD	30u"/.76u GXT
50576-5YYYYFLF	YYY	.145±.010/3.68±.25	TIN	30u"/.76u GXT
50576-5YYYYH	YYY	.180±.010/4.57±.25	TIN-LEAD	30u"/.76u GXT
50576-5YYYYHLF	YYY	.180±.010/4.57±.25	TIN	30u"/.76u GXT
50576-XX004	100	.125±.010/3.18±.25	TIN-LEAD	30u"/.76u GXT
50576-XX004LF	100	.125±.010/3.18±.25	TIN	30u"/.76u GXT
50576-XX008	80	.125±.010/3.18±.25	TIN-LEAD	30u"/.76u GOLD
50576-XX008LF	80	.125±.010/3.18±.25	TIN	30u"/.76u GXT

NOTE 7 (CUSTOMER SPECIAL)

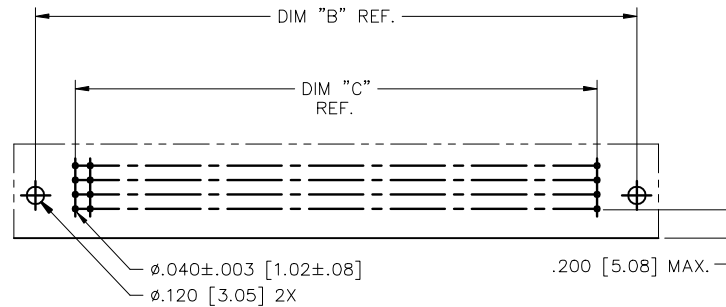
SEE SHEET 3

SEE SHEET 4



SECTION U-U

SECTION X-X



RECOMMENDED PCB LAYOUT  
(ALL HOLES LOCATED ON .100 [2.54] GRID UNLESS OTHERWISE SPECIFIED)

NOTES:

① PRODUCT NUMBERING CODE:  
50576 - X YYY Z LF  
LEAD FREE (OPTIONAL)  
TAIL LENGTH (NOTE 5)  
NO. OF POSITIONS (NOTE 2)  
PLATING (NOTE 4)  
BASE NUMBER

PRODUCT NUMBERING CODE FOR SELECT LOAD PART NUMBERS:  
50576 - XXYYY LF  
LEAD FREE (OPTIONAL)  
SEQUENCE NUMBER  
ALWAYS 'XX'  
BASE NUMBER

② THIS PRODUCT IS CONFIGURED IN SIZES OF 6 THRU 80 COLUMNS IN INCREMENTS OF ONE. i.e.: 6,7,8,9.....79,80.

③ HOUSING MATERIAL: GLASS AND MINERAL FILLED HIGH TEMP. THERMOPLASTIC. FLAME RETARDANT PER UL94V-0. COLOR: BLACK. CONTACT MATERIAL: BeCu

④ MANUFACTURE'S NAME, PART NUMBER AND LOT CODE TO APPEAR ON THIS SURFACE PER BUS-12-108.

5. DIMENSION "A" CALCULATION =  $.100(2.54) \times \text{NO. OF COLUMNS} + .75(19.1)$   
DIMENSION "B" CALCULATION =  $.100(2.54) \times \text{NO. OF COLUMNS} - .450(11.43)$   
DIMENSION "C" CALCULATION =  $.100(2.54) \times \text{NO. OF COLUMNS} - .100(2.54)$

6. THIS PRODUCT (WITH 'LF' SUFFIX) MEETS EUROPEAN UNION DIRECTIVES AND OTHER COUNTRY REGULATIONS AS DESCRIBED IN GS-22-008. THIS HOUSING WILL WITHSTAND EXPOSURE TO 260°C PEAK TEMPERATURE FOR 10-30 SECONDS IN A CONVECTION, INFRA-RED OR VAPOR PHASE REFLOW OVEN.

⑦ FOR P/N 50576-3YYYY (CUSTOMER ALCATEL) USE CONTACT PLATING 30u"/0.76u GXT

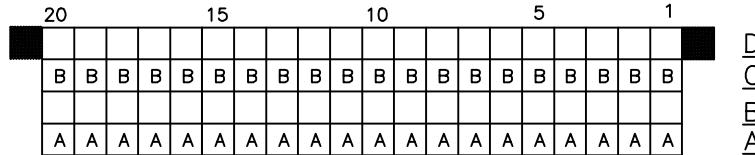
⑧ PLATING OPTIONS:  
MAYBE EITHER GOLD OR GXT PLATED AT MANUFACTURER CHOICE

mal't. code		surface	tolerance	projection	product family
NOTE 3		ISO 1302	ISO 406	INCH/MM	HPC
ltr		dr	ISO 1101		title
x		tolerances unless otherwise specified		scale 1:1	4 ROW R/A RECEPTACLE
engr		linear			GENERIC, MOUNT, S.T.B. O G.P.
chr		angles		sheet 2 of 4	size
appd		0'±2'		50576	A3
sheet		dr D.SHEAFFER 8/27/92		type Product Customer Drawing	
index		engr S.CLARK 9/30/92			
		chr S.CLARK 9/30/92			
		appd S.CLARK 9/30/92			
		revision			
		sheet			



PRODUCT NUMBER	ITEM KEY	SIGNAL DATA			
		SIZE 4 x 20	TOTAL NO. OF POSITIONS -80	NO. OF POSITIONS LOADED - 40	
		PLATING (NOTE 8)	QTY.	R/A RECEPTACLE STYLE	
				MATING LENGTH	TAIL LENGTH
50576-XX008	A	30u"/.76u Au	20	N/A	.125 [3.18]
	B	30u"/.76u Au	20	N/A	.125 [3.18]
	BLANK	OMIT	40	N/A	N/A
50576-XX008LF	A	30u"/.76u GXT	20	N/A	.125 [3.18]
	B	30u"/.76u GXT	20	N/A	.125 [3.18]
	BLANK	OMIT	40	N/A	N/A

50576-XX008 AND -XX008LF SHOWN ON THIS SHEET



TERM.  
1

- ALL POSITIONS ARE LOADED, EXCEPT OMIT, AS SHOWN.
- COLUMN 1, ROW A IS DESIGNATED AS SIGNAL TERM. 1, AS VIEWED FROM THE MATING FACE.
- FOR ADDED DIMENSIONAL INFORMATION REFER TO DOCUMENT NUMBER "50576".

mat'l. code		surface		tolerance		projection		product family	
NOTE 3		ISO 1302		ISO 406		ISO 1101		HPC	
ltr	ecn no	dr	date	tolerances unless otherwise specified					
x				angles	.XX±.01/XX±0.3		INCH/MM		title
				linear	.XXX±.006/XX±0.13		scale 1:1		4 ROW R/A RECEPTACLE
				0'±2'	.XXX±.0020/XXX±0.05				GENERIC, MOUNT, S.T.B. 0 G.P.
		dr	D.SHEAFFER	8/27/92					dwg no
		engr	S.CLARK	9/30/92					sheet 4 of 4
		chr	S.CLARK	9/30/92					size
		appd	S.CLARK	9/30/92					A3
sheet	revision								
index	sheet								



Copyright FCJ